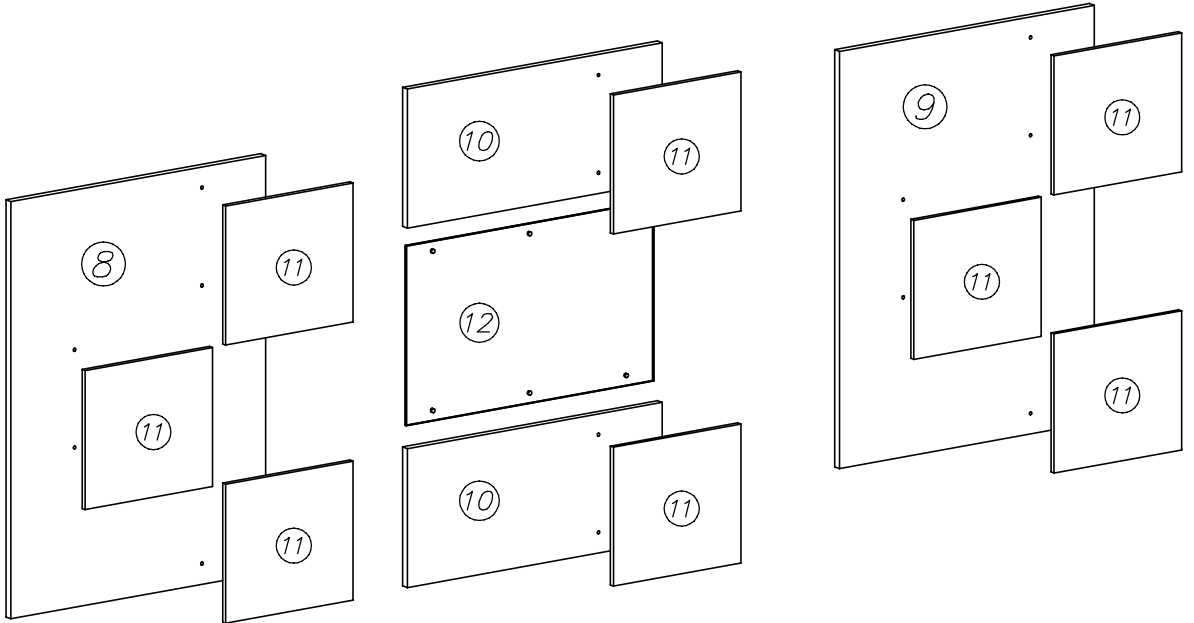
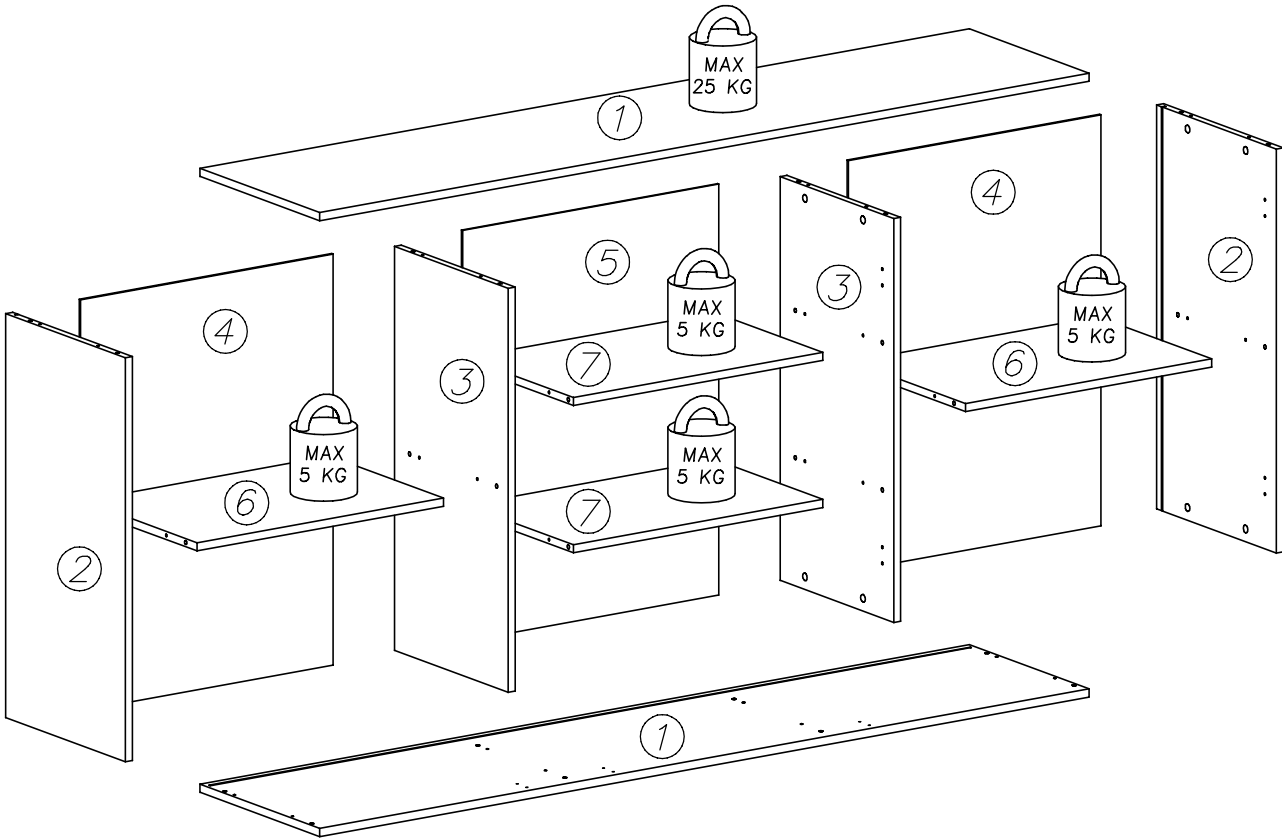
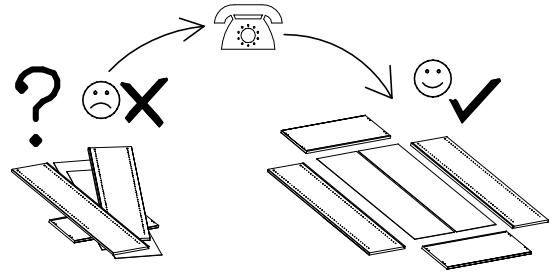
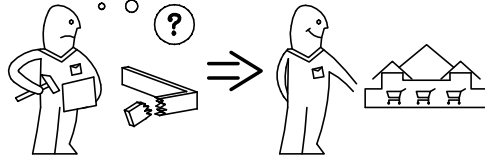
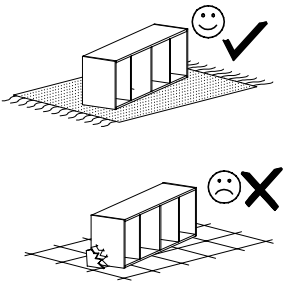


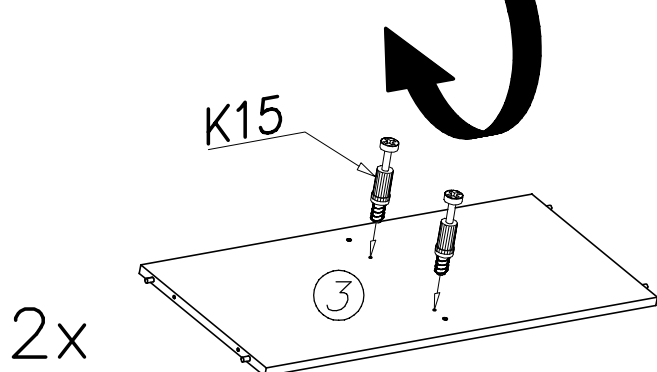
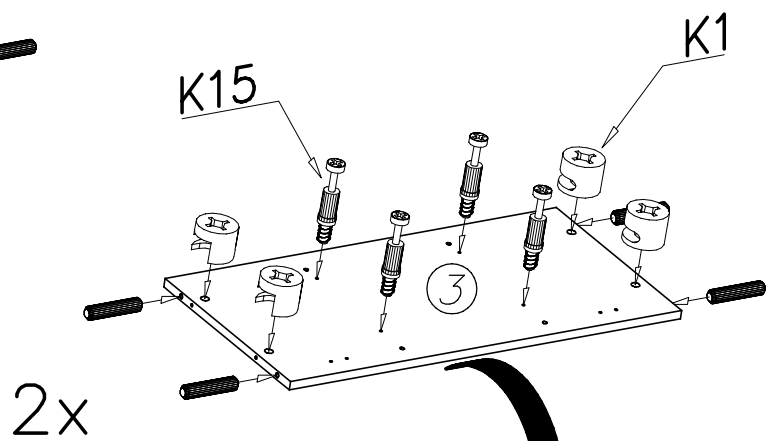
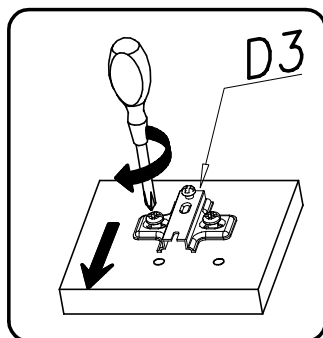
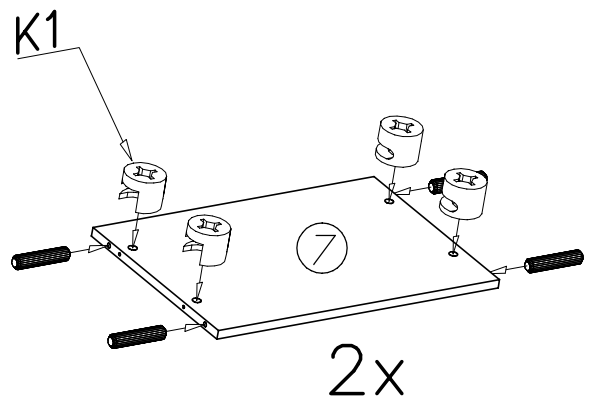
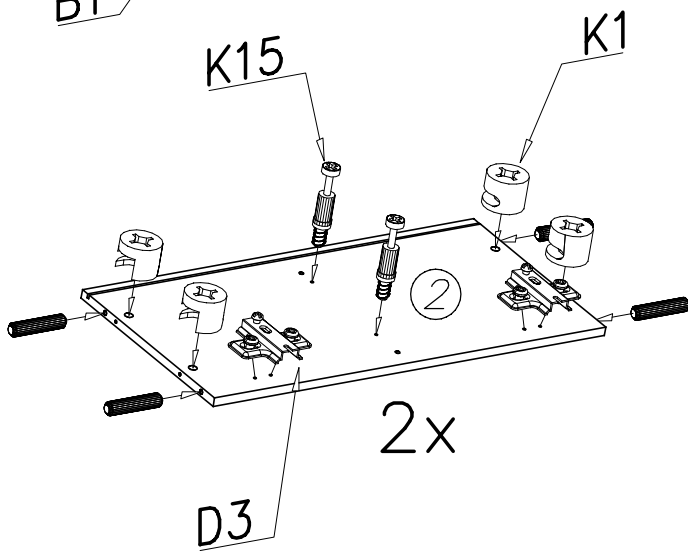
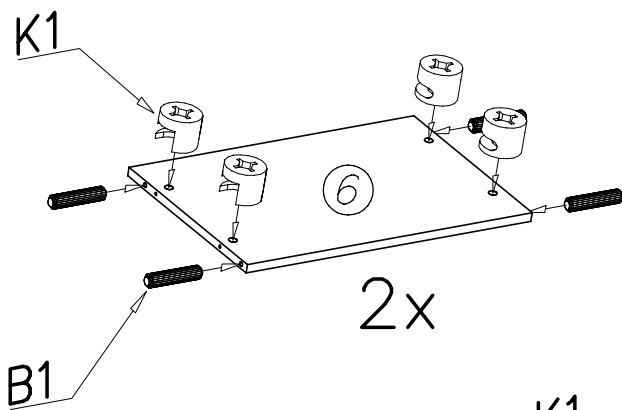
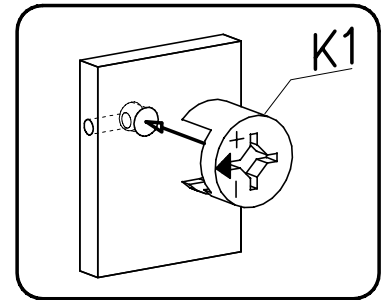
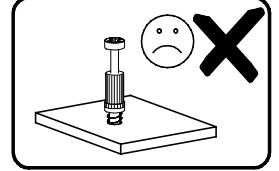
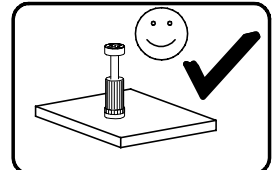
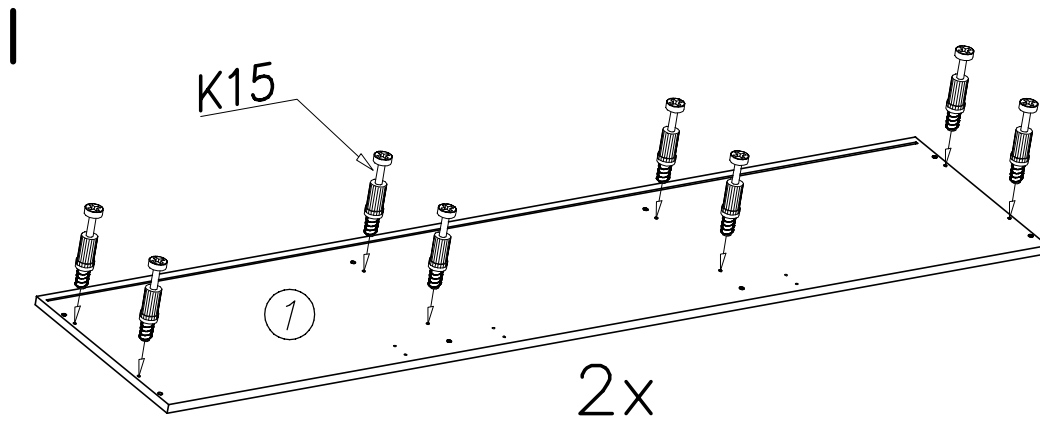
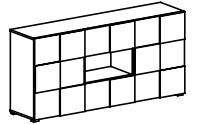
nr	L[mm]	B[mm]	T[mm]	Menge	Colli
1	1782	396	16	2	2/2
2	793	396	16	2	2/2
3	793	376	16	2	2/2
4	805	584	3	2	1/2
5	805	584	3	1	1/2
6	570	376	16	2	1/2
7	577	376	16	2	2/2
8	819	590	16	1	1/2
9	819	590	16	1	1/2
10	273	590	16	2	1/2
11	273	295	10	8	1/2
12	571	353	4	2	1/2

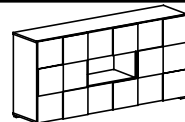


			G55 6x22 x...(16)	G22 3,5x16 x...(6)
C10 Z35PL x...(2)	D10 PZ35PL x...(2)	G28 4x60 x...(1)	U6 ø8x40 x...(1)	I3 x...(6)
I1 x...(12)	M11 x...(1)	G12 4x25 x...(12)	K15 x...(32)	K1 ø15x12 x...(32)
C3 Z35PR x...(4)	D3 PZ35PR x...(4)	P15 x...(6)	G34 3,5x16 x...(54)	L13 x...(3)
B1 ø8x35 x...(32)	I7 x...(32)	I4 ø5 x...(6)	S2 x...(16)	G57 3,5x16 x...(6)

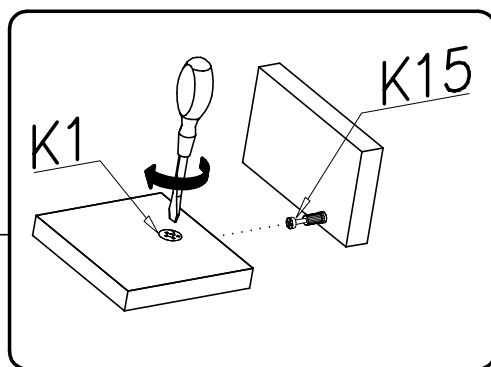
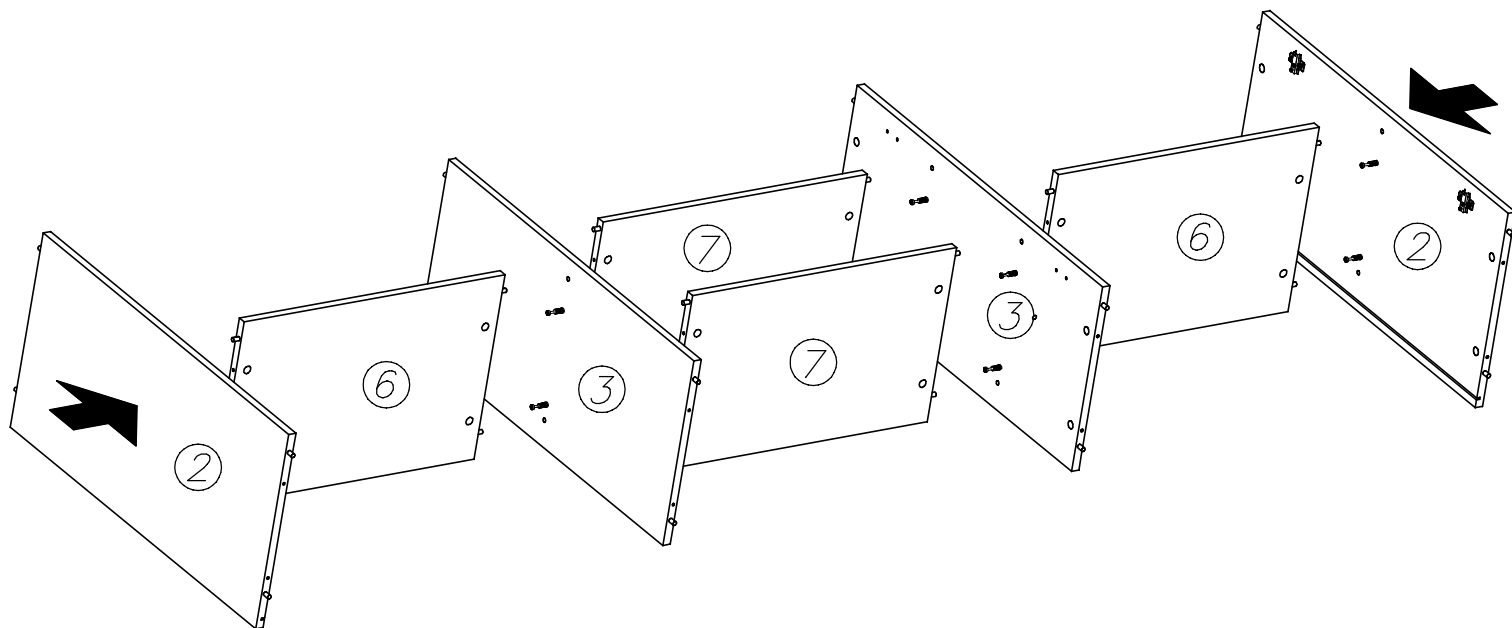
PATRIK 2



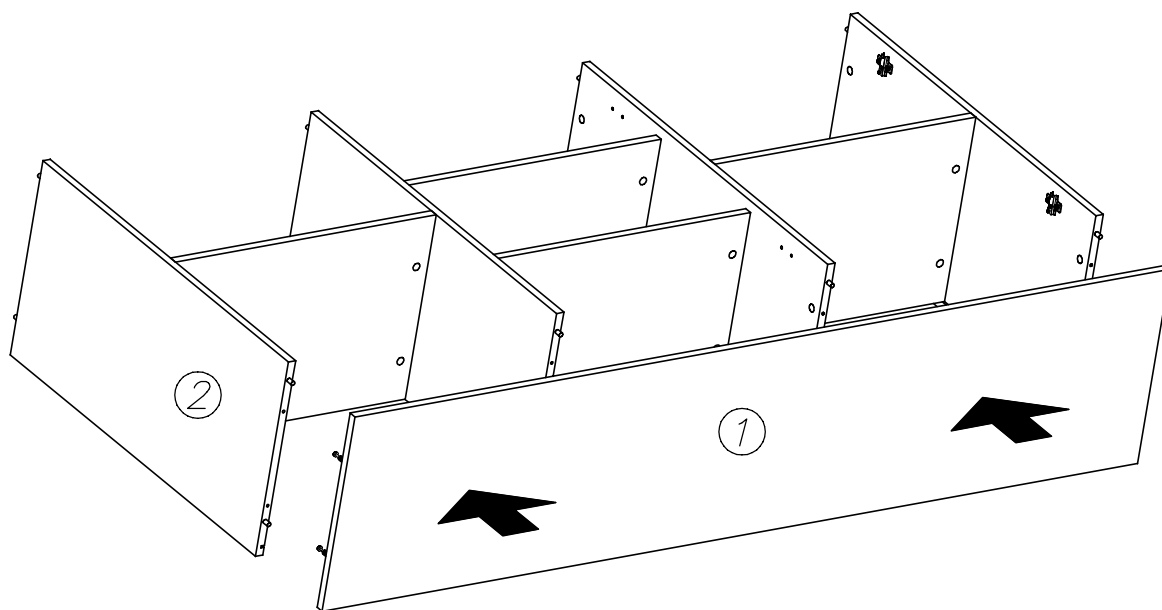


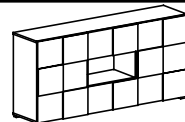


II

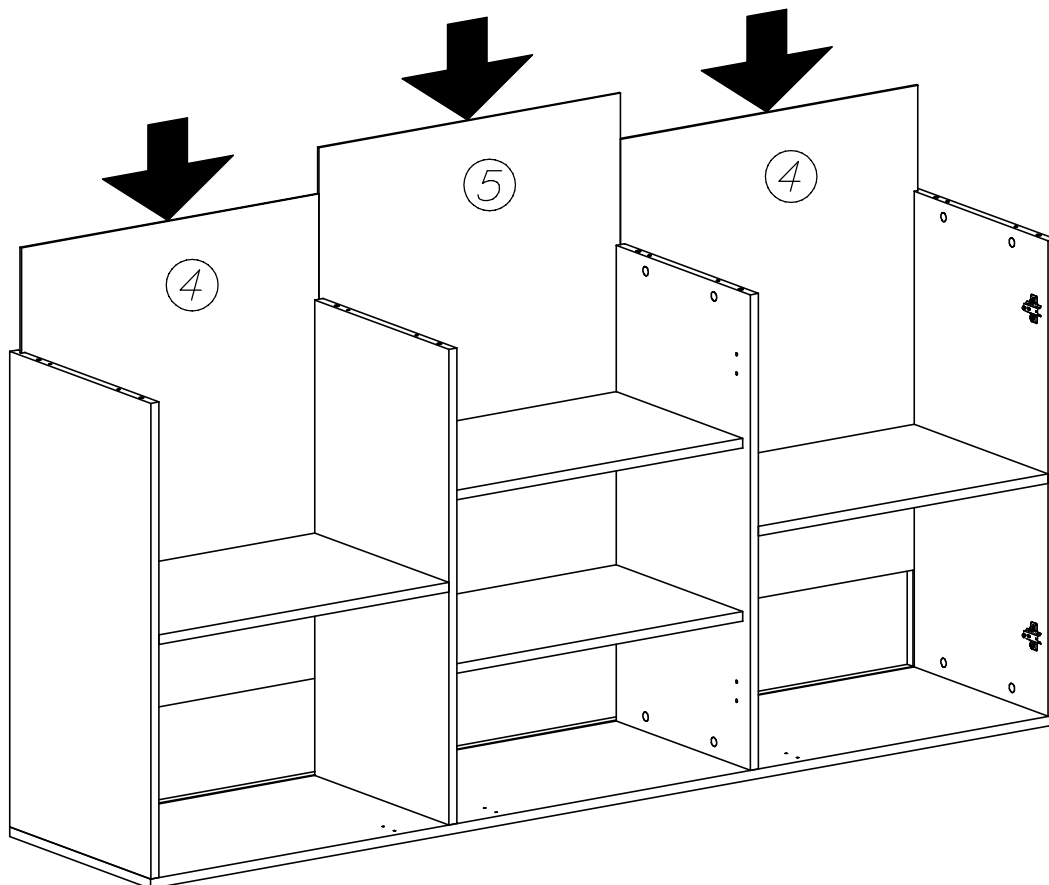


III

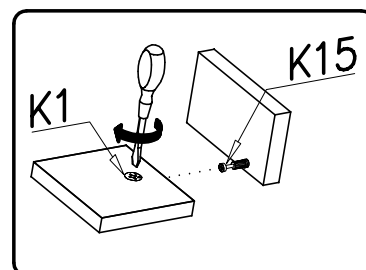
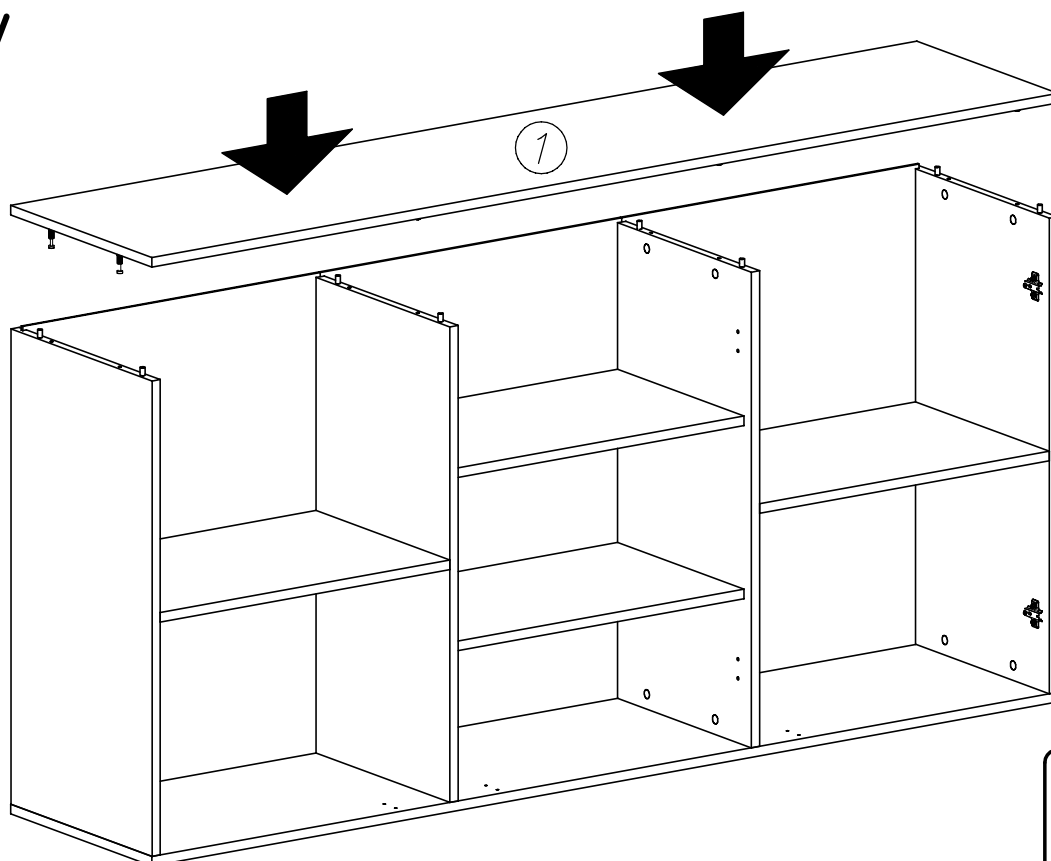


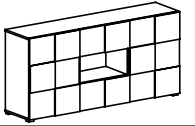


IV

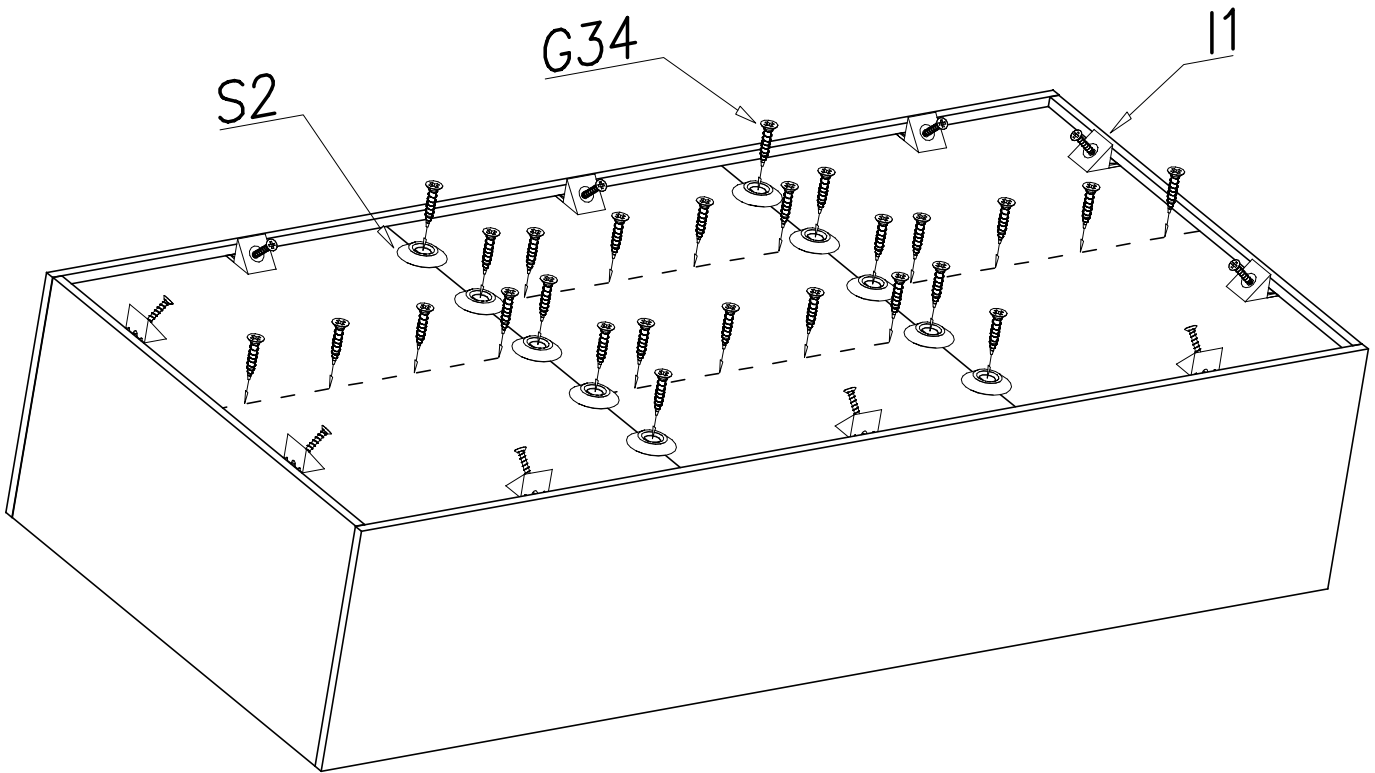
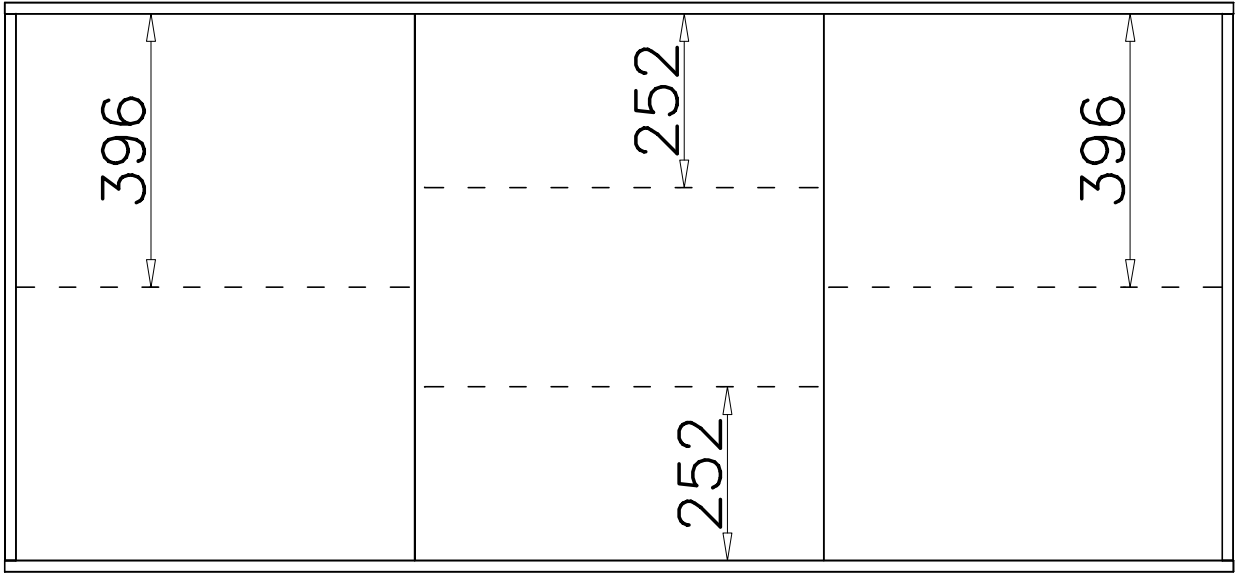


V

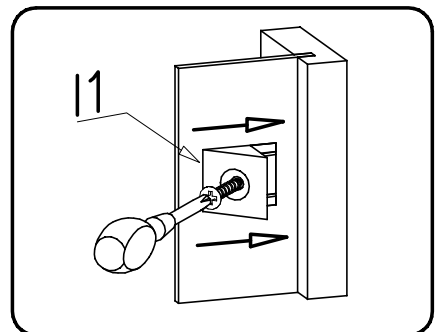
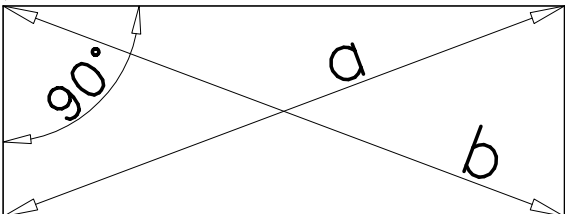


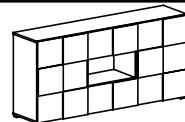


VI

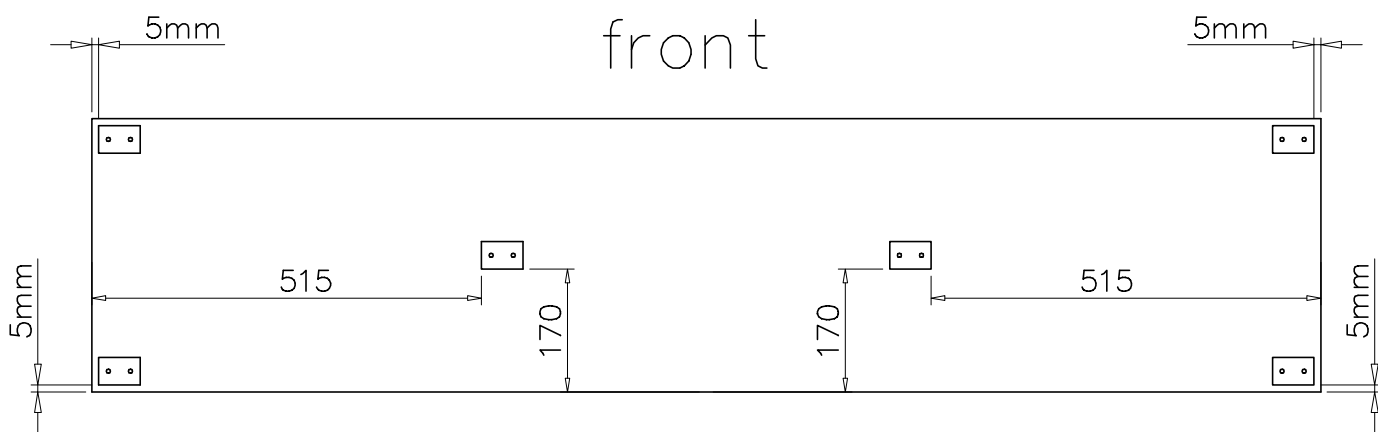
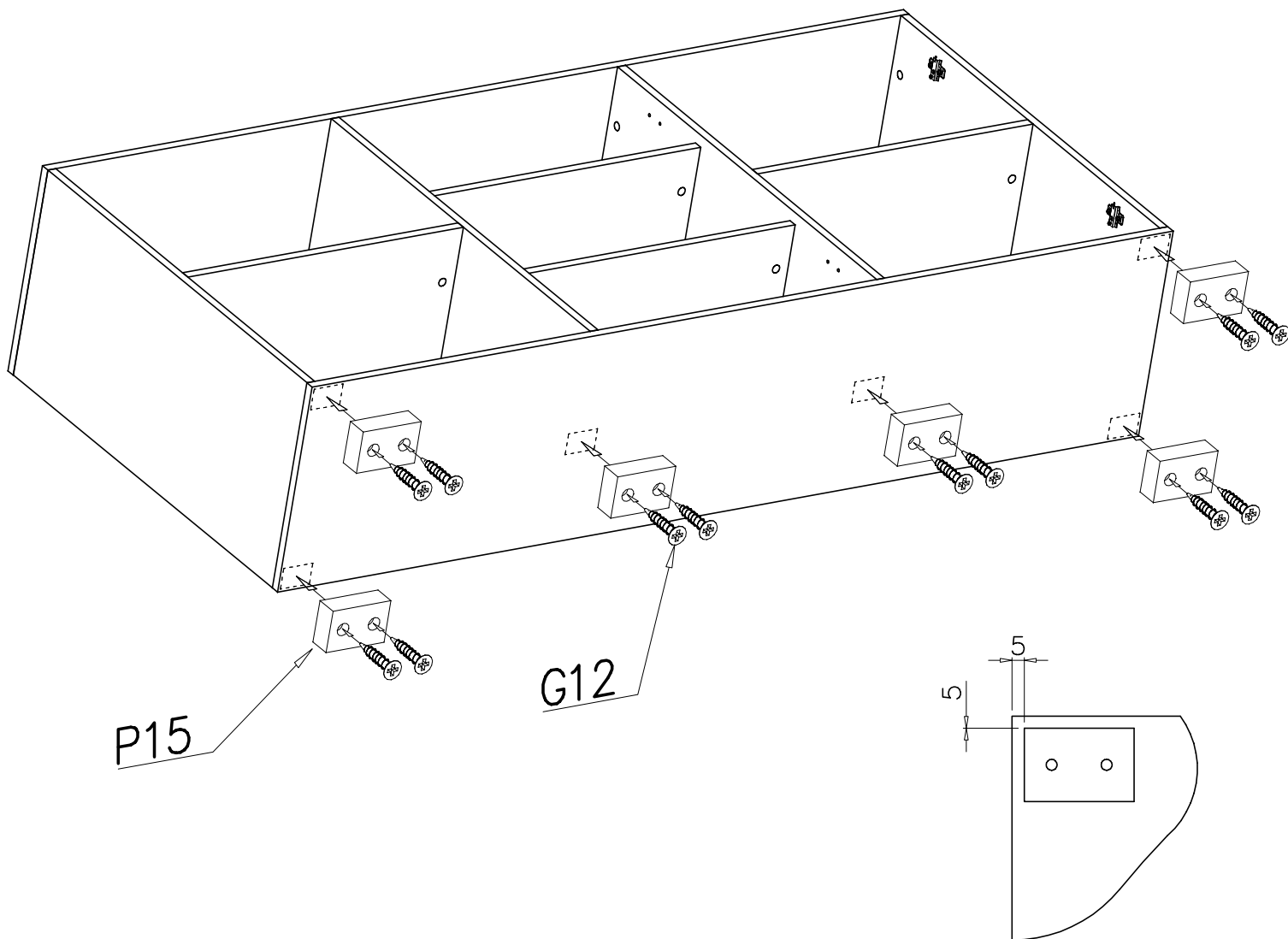


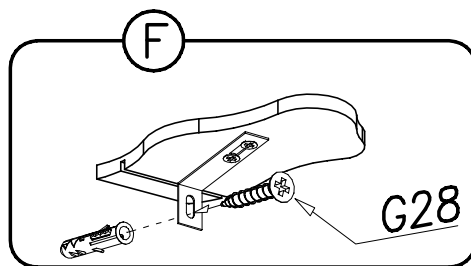
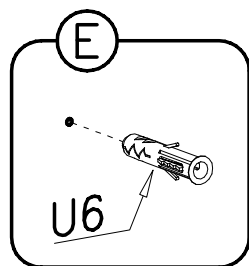
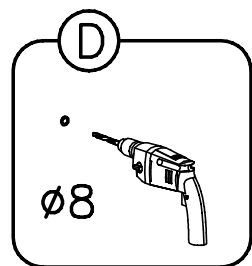
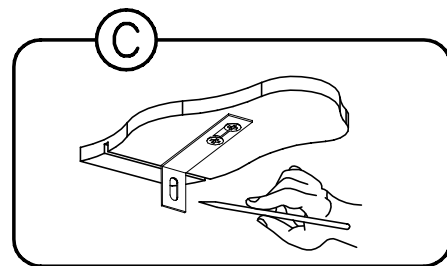
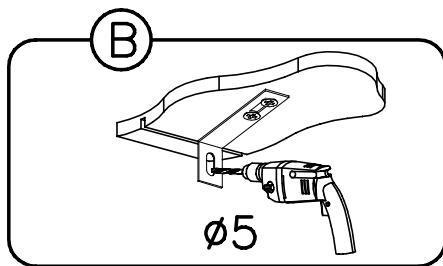
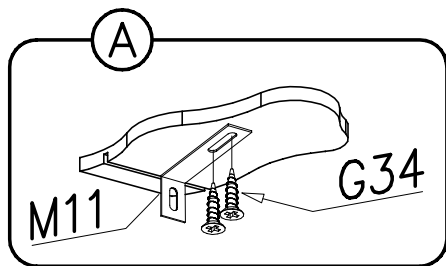
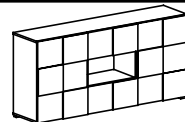
$$a = b$$



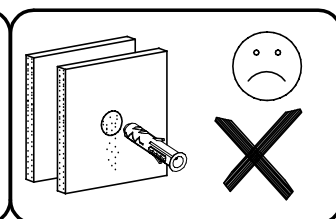
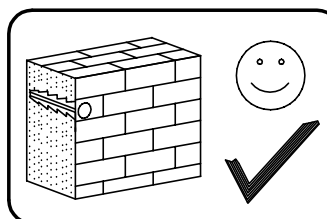
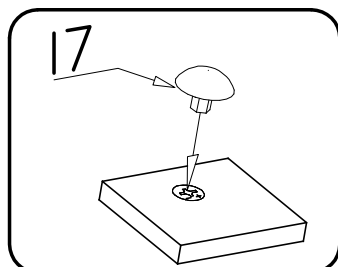
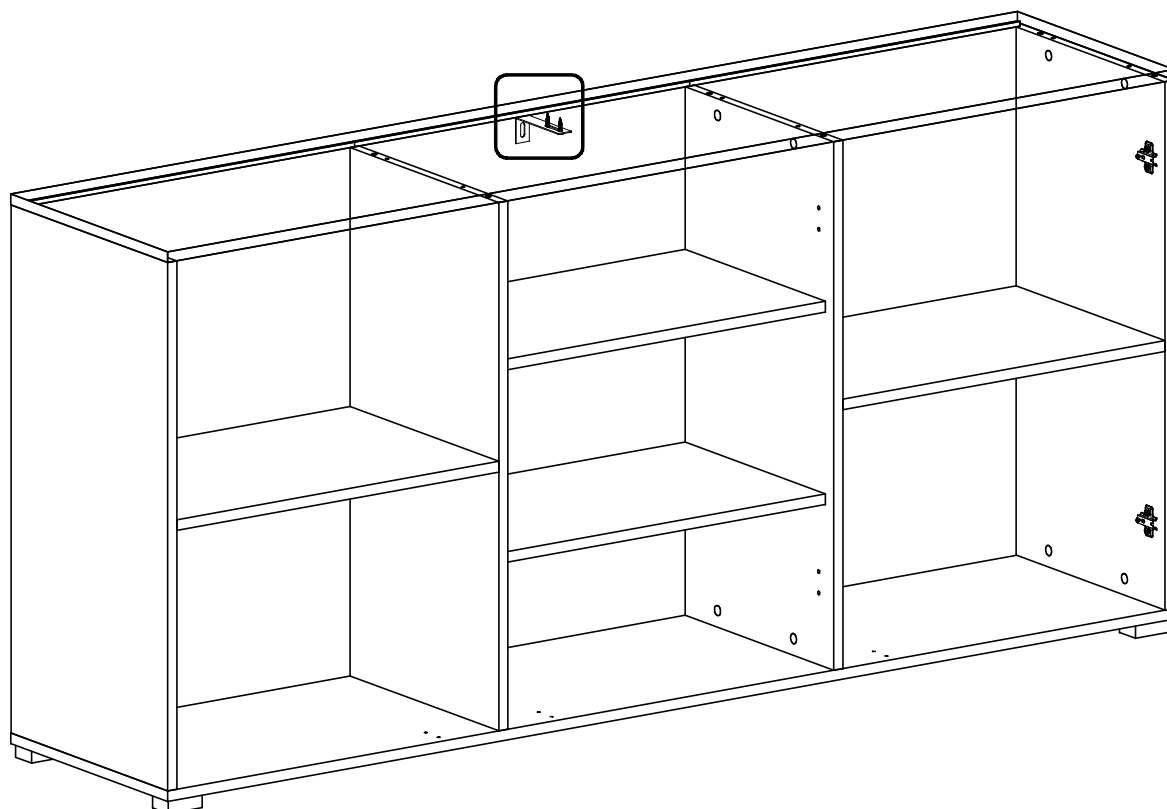


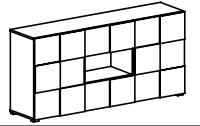
VII



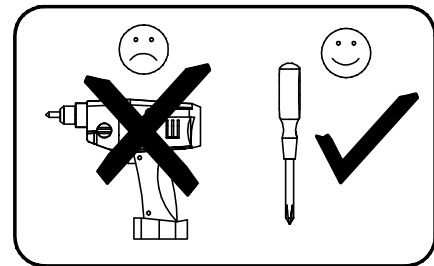
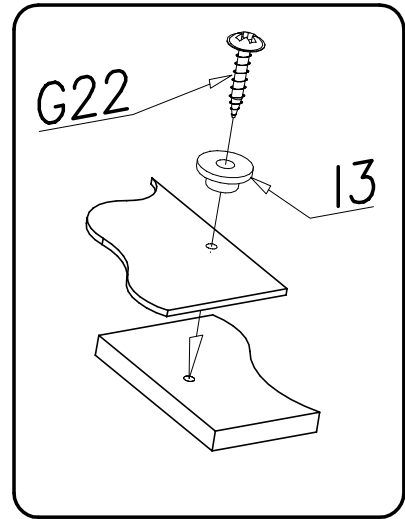
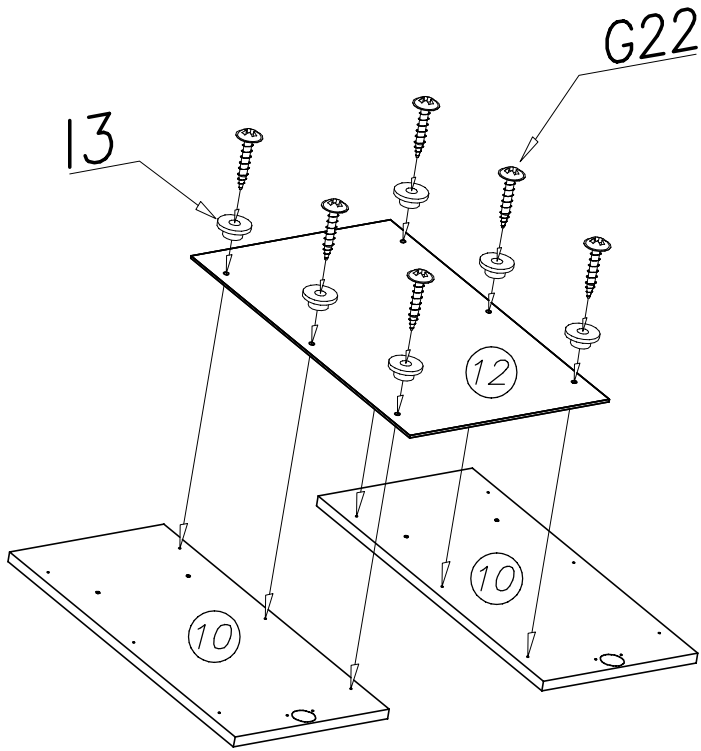


VIII

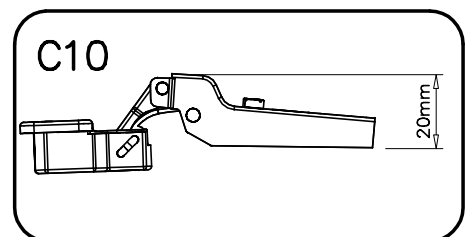
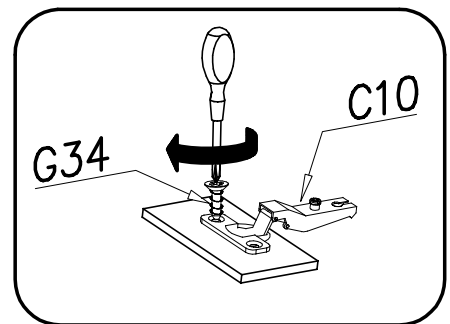
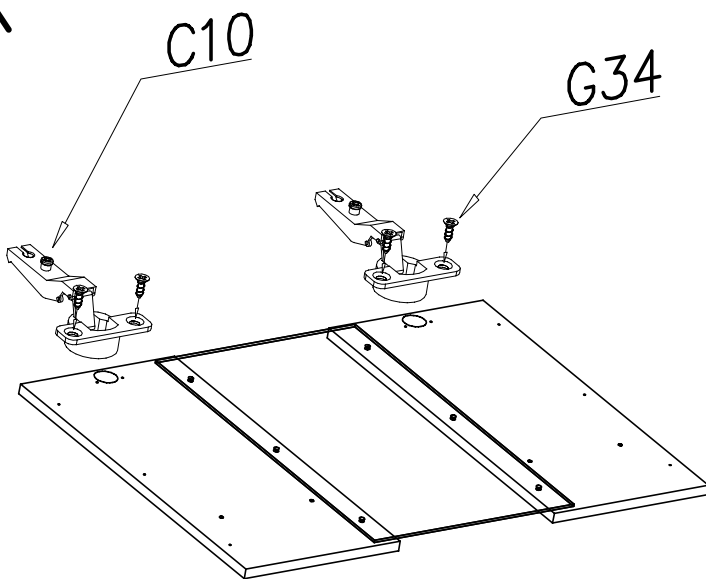


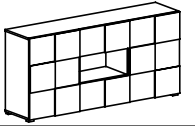


IX

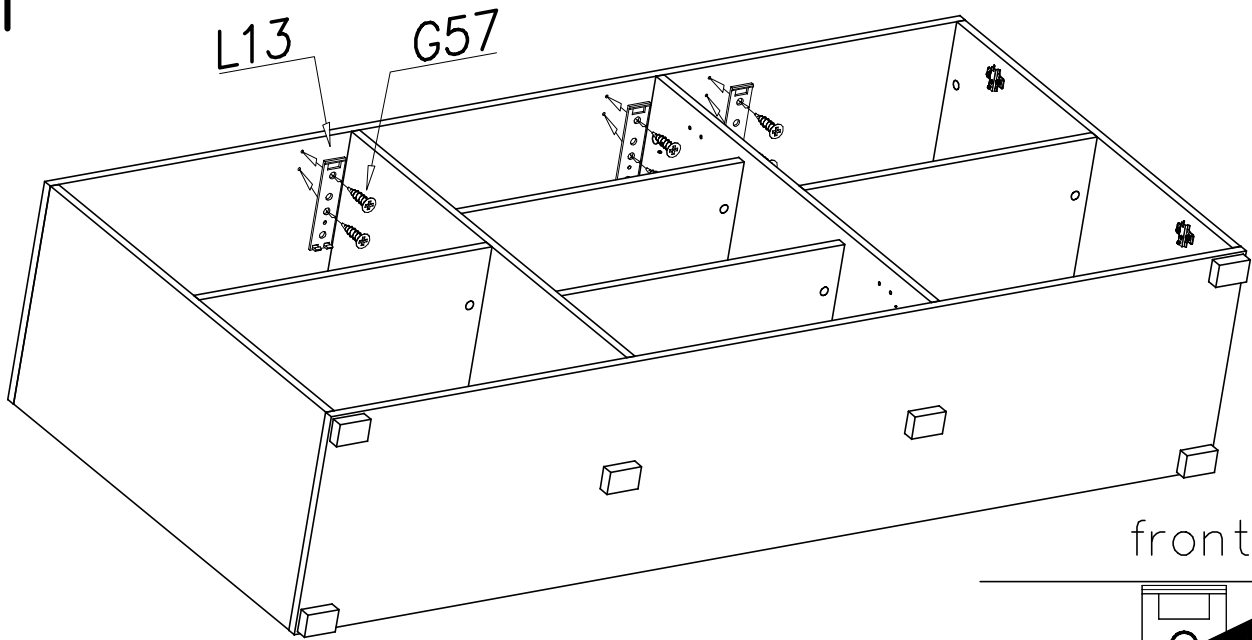


X

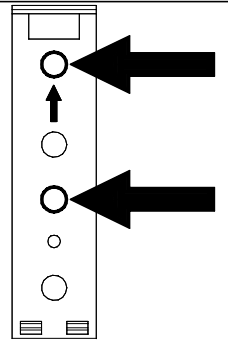




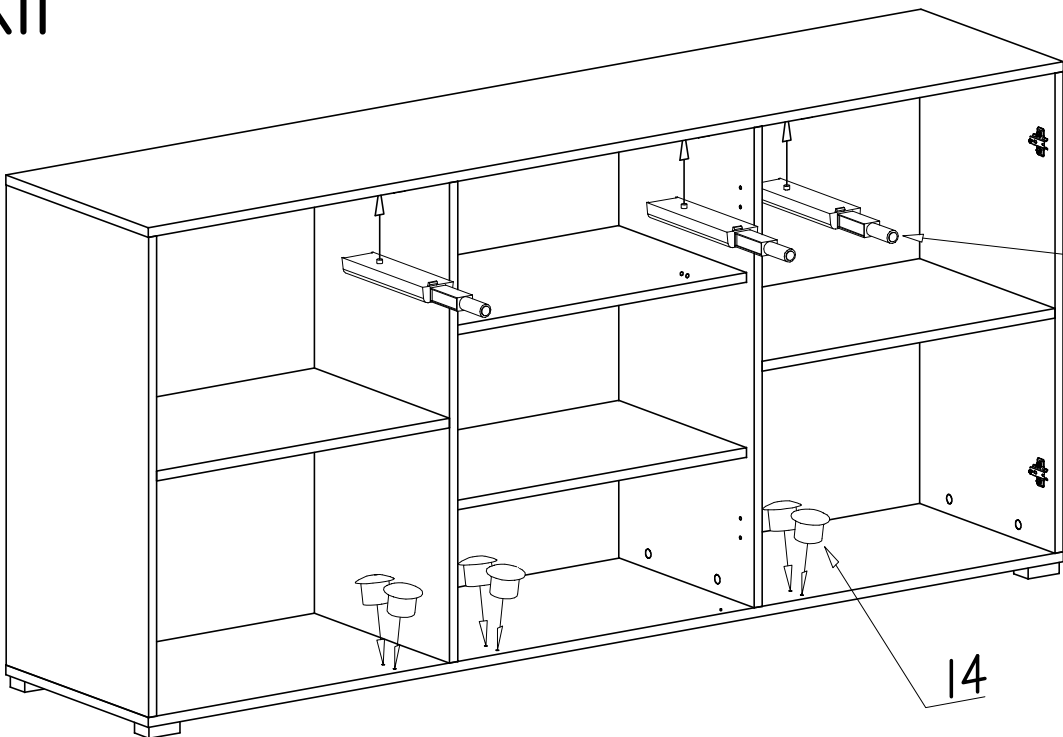
XI



front

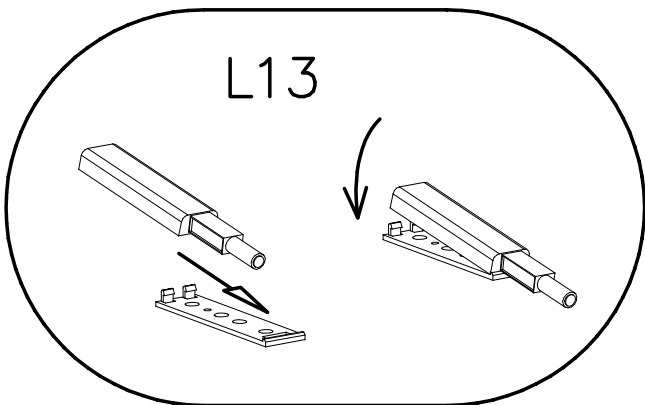


XII

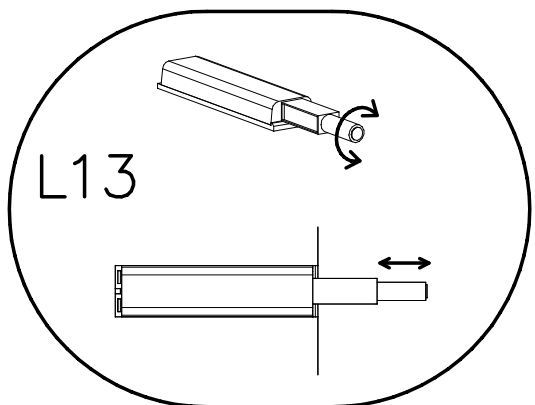


L13

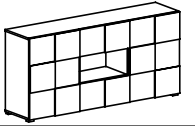
14



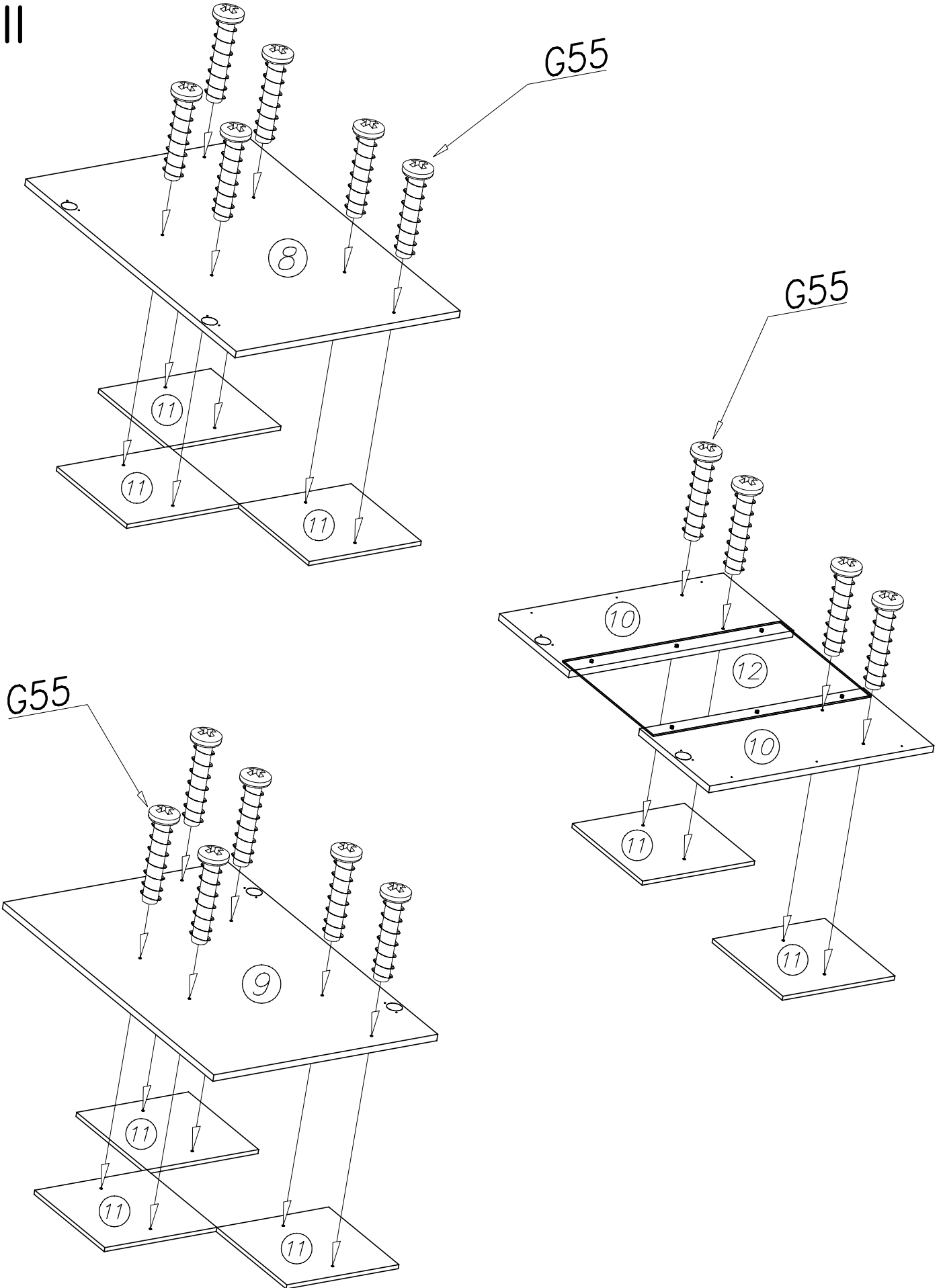
L13

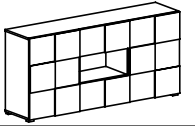


L13

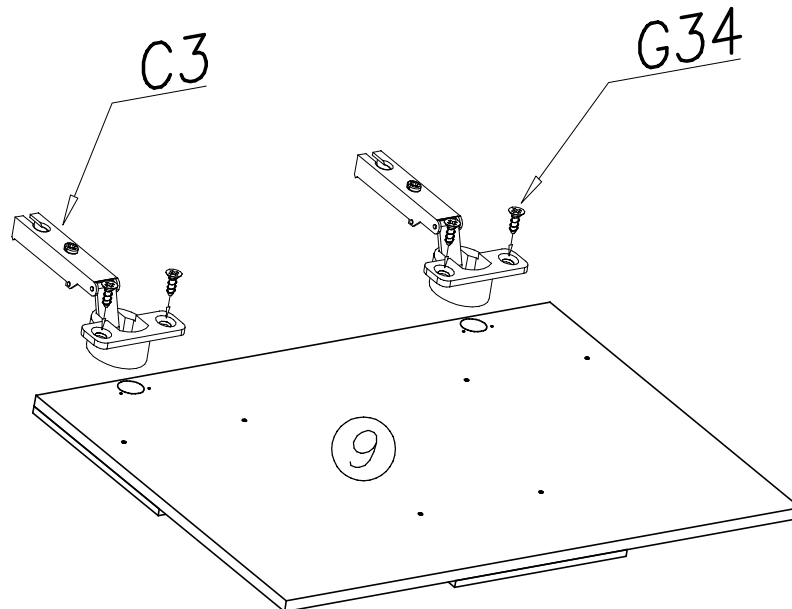
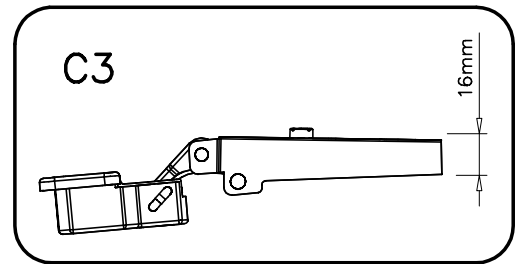
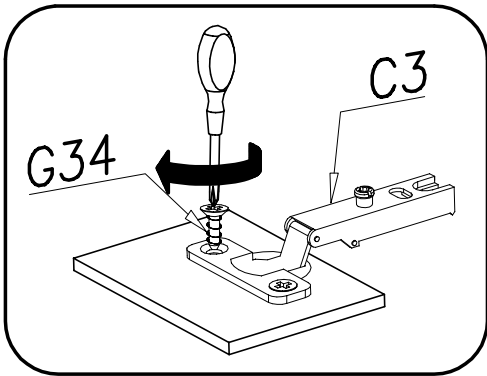
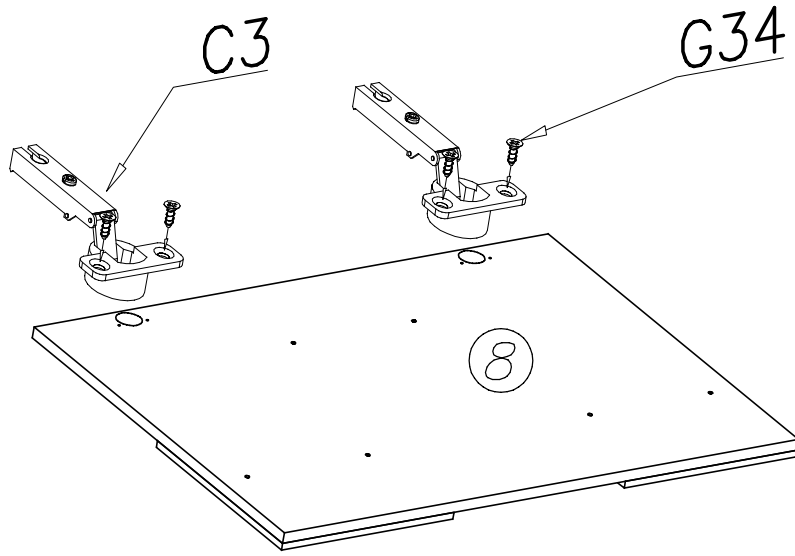


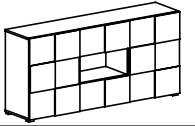
XIII



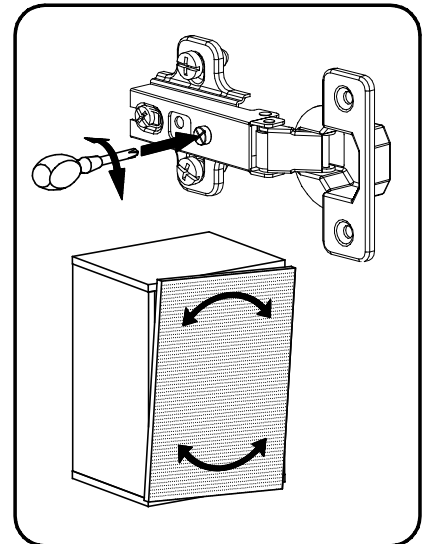
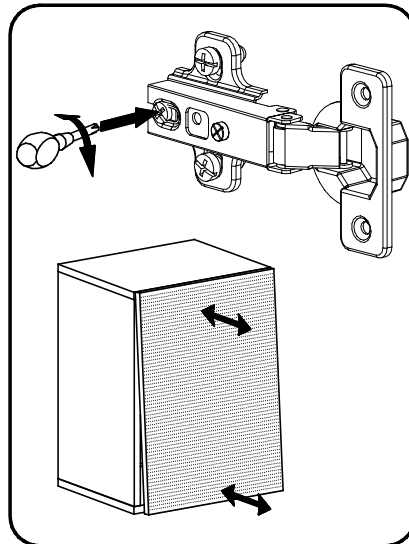
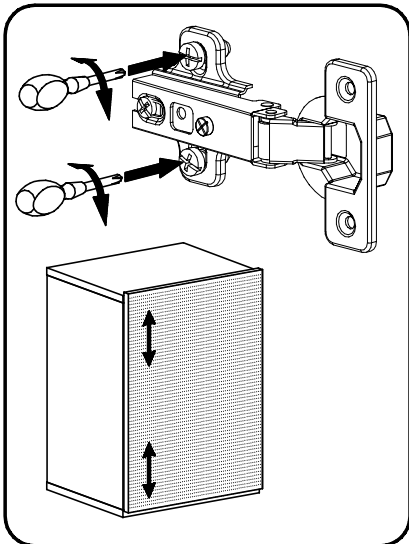
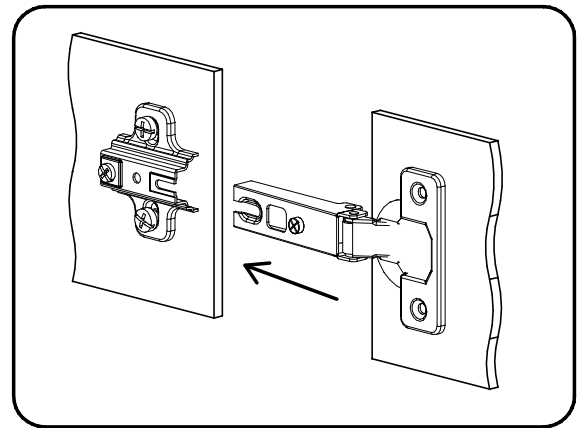
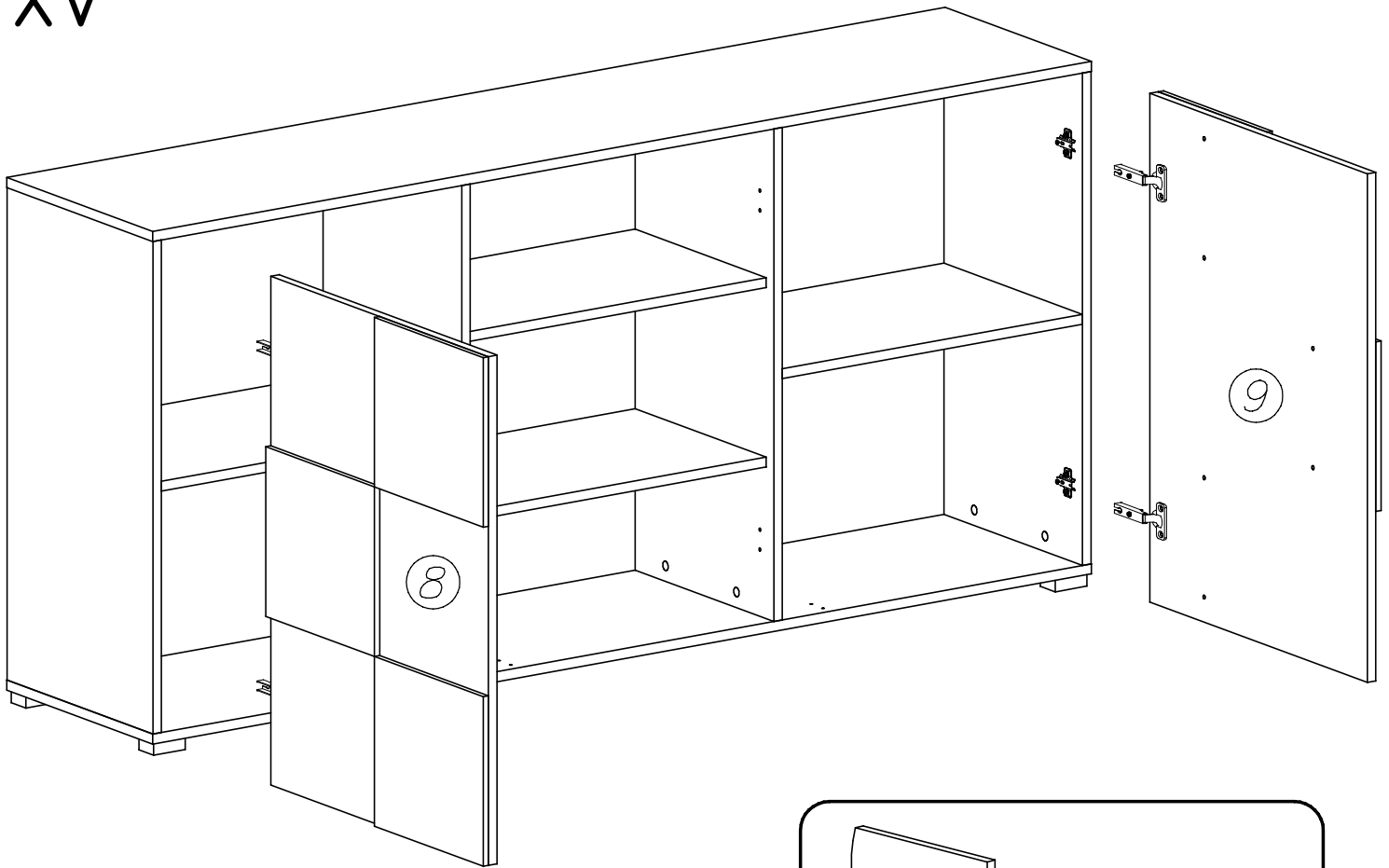


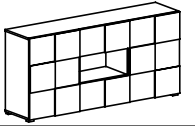
XIV





XV





XVI

